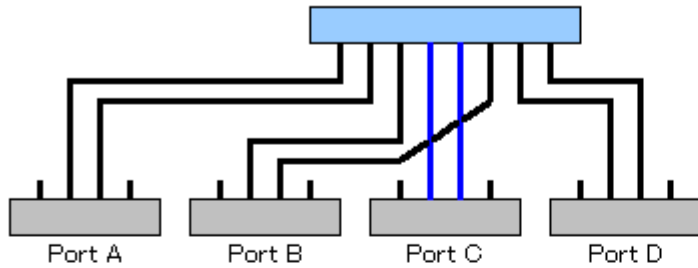
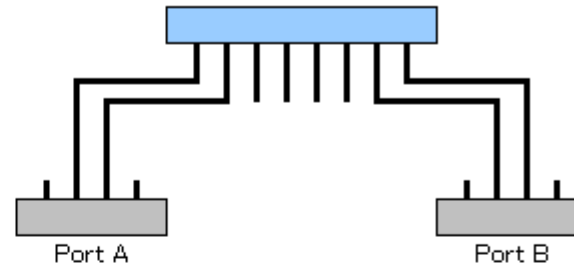


# NS700. 連接圖

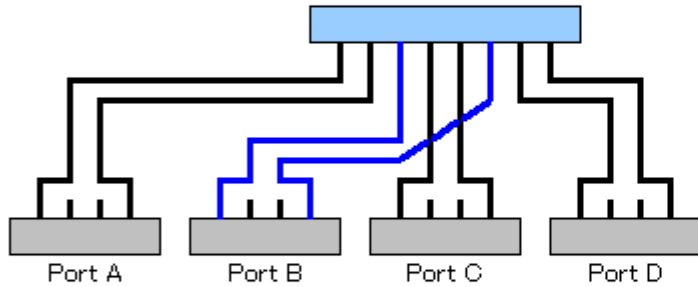
SLC8 / SLC16 optional card



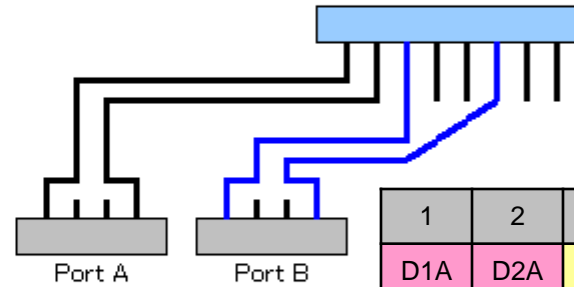
SLC4 preinstalled card  
Analog CO optional card



DLC8 / DLC16 optional card

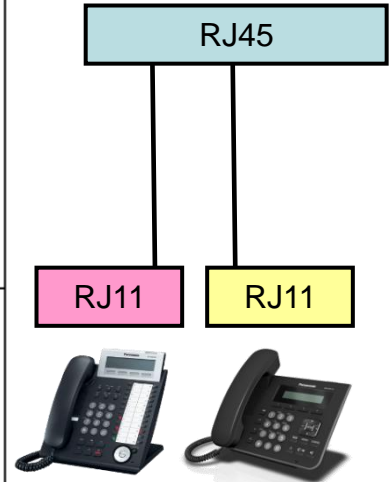


DLC2 preinstalled card

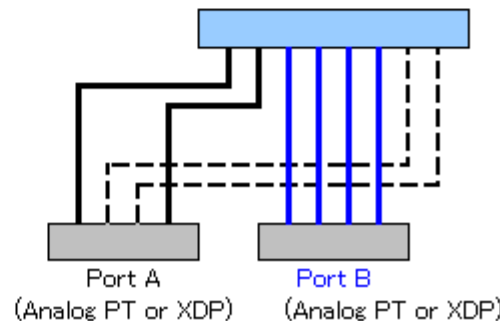
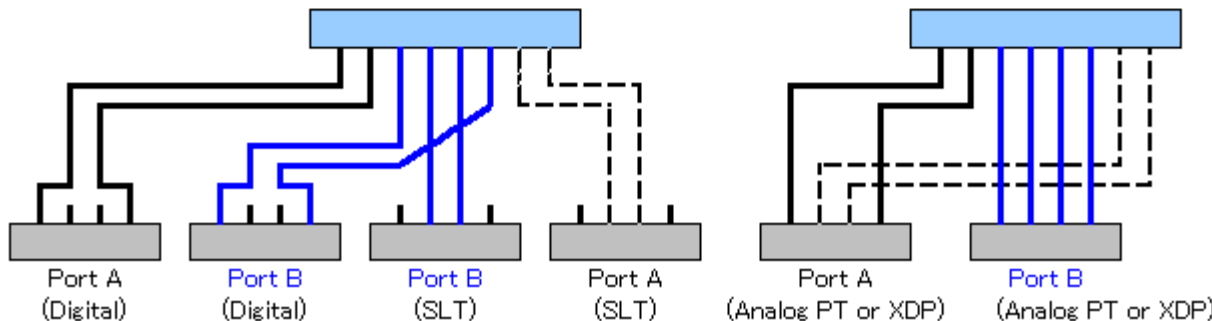


1	2	3	4	5	6	7	8
D1A	D2A	D1B			D2B		

DLC2

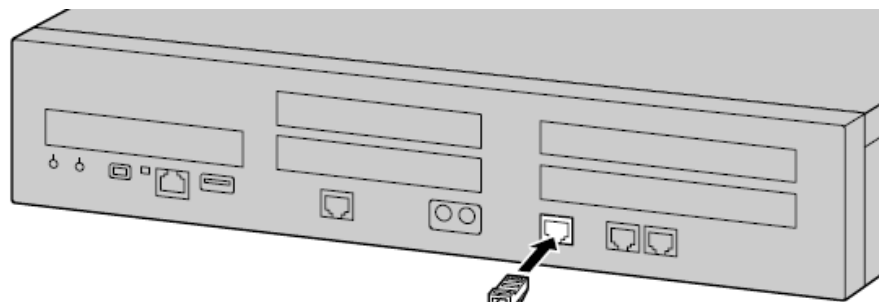


DHLC4 optional card



RJ45 - RJ11 straight cable can be used.

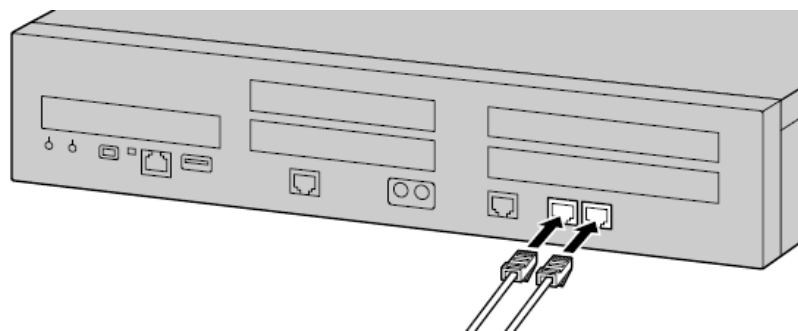
## 2. NS700 內建RJ45數位&單機埠



DLC2

	1	2	3	4	5	6	7	8
1-2	D1A	D2A	D1B			D2B		

No.	Signal Name	Function
1	D1 A	Data port 1 (Low)
2	D2 A	Data port 1 (High)
3	D1 B	Data port 2 (Low)
4	Reserved	-
5	Reserved	-
6	D2 B	Data port 2 (High)
7	Reserved	-
8	Reserved	-



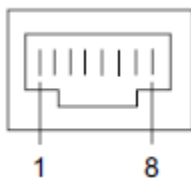
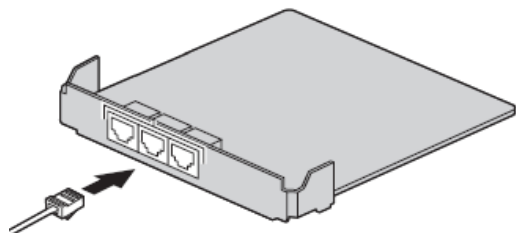
SLC4

	1	2	3	4	5	6	7	8
1-2	TA	RA					TB	RB
3-4	TC	RC					TD	RD

No.	Signal Name	Function
1	TA	Tip port 1
2	RA	Ring port 1
3	Reserved	-
4	Reserved	-
5	Reserved	-
6	Reserved	-
7	TB	Tip port 2
8	RB	Ring port 2

# 3. 類比外線卡

## LCOT6



## LCOT6

	1	2	3	4	5	6	7	8
1-2	TA	RA					TB	RB
3-4	TC	RC					TD	RD
5-6	TE	RE					TF	RF

	No.	Signal Name	Function
	1	TA	Tip port 1
	2	RA	Ring port 1
	3	Reserved	-
	4	Reserved	-
	5	Reserved	-
	6	Reserved	-
	7	TB	Tip port 2
	8	RB	Ring port 2